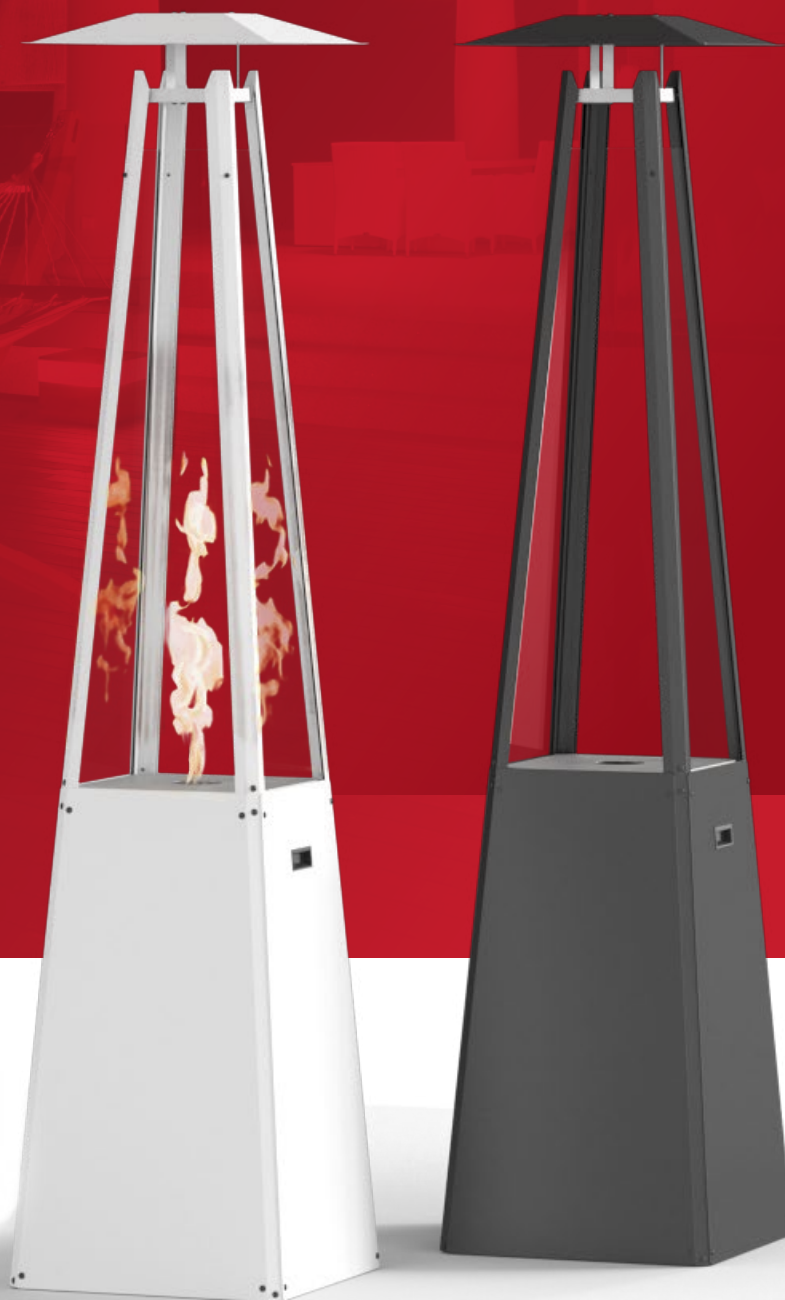




# UMBRELLA

## GAS HEATER



# NEW



# UMBRELLA PRICES



UMBRELLA/C

Your price

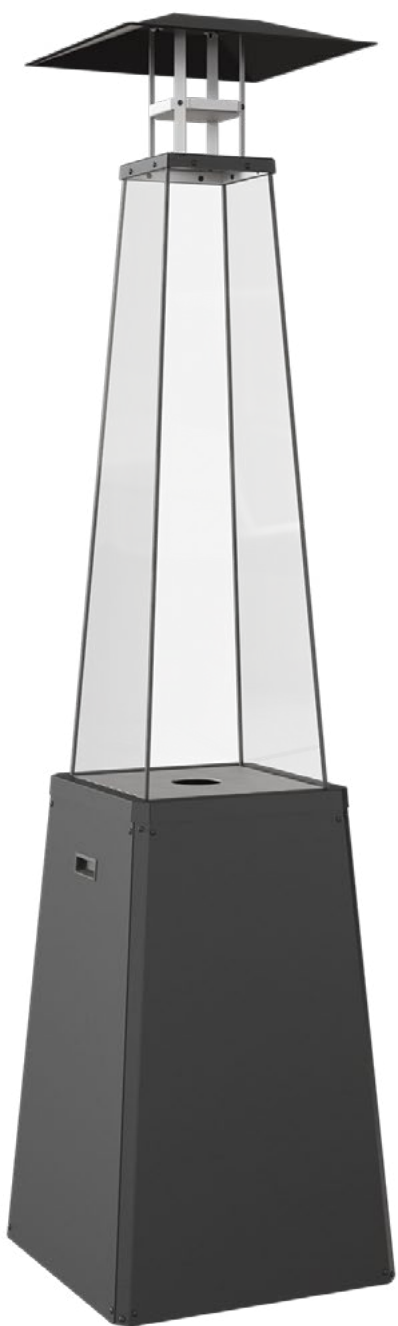


UMBRELLA/B

Your price



# UMBRELLA PRICES



UMBRELLA/BS/C

Your price



UMBRELLA/BS/B

Your price

# FEATURES

UMBRELLA is a modern gas heater which will extend Your summer time. Due to its presence, wonderful moments in the garden or on the terrace in the company of family and friends do not have to end with the arrival of colder evenings. The appliance will guarantee You a comfortable temperature and unique design, and due to the impressive flame illuminating the surrounding area it will create a unique atmosphere. Warmth, mood, comfort and safety are the key features of UMBRELLA.

## ● MODERN DESIGN

The UMBRELLA heater is a unique decoration on your home terrace or garden. It can be successfully used in the restaurant and hotel industry as a complement to the dining and recreation space.

The elegant design of the heater is stylized and constitutes to an interesting, eye-catching decoration. Attractive appearance and pleasant warmth will make the gardens and terraces in homes or restaurants always full of guests on both spring, summer and autumn evenings.

## ● COMFORTABLE USAGE

Firing up of the heater requires a few seconds. It is extremely comfortable and intuitive.

The appliance can work constantly at full power even up to 17 hours. It is powered by a 11 kg cylinder. It is suitable to both propane-butane gas and pure propane. We recommend usage of the pure propane cylinders.

The UMBRELLA heater does not emit any sounds or smell. Its operation also does not influence the air circulation, which is especially important for allergic users.

## ● SAFETY AT THE HIGHEST LEVEL

The UMBRELLA heater is powered by liquid gas from a cylinder hidden in the appliance casing. The flames are enclosed in a special chamber that protects the user from direct contact with fire.

The design and structure of the heater guarantees protection of the burning fire from the wind. The UMBRELLA heater is equipped with a special anti-roll valve, which in the case of the appliance falling over automatically cuts off the gas supply to the controller, extinguishing the flame at the same time.

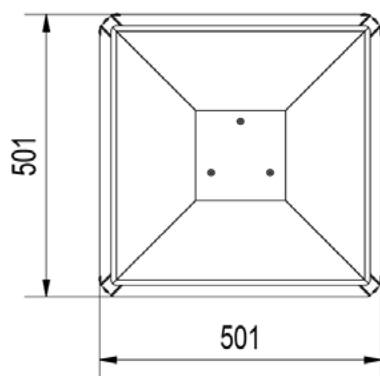
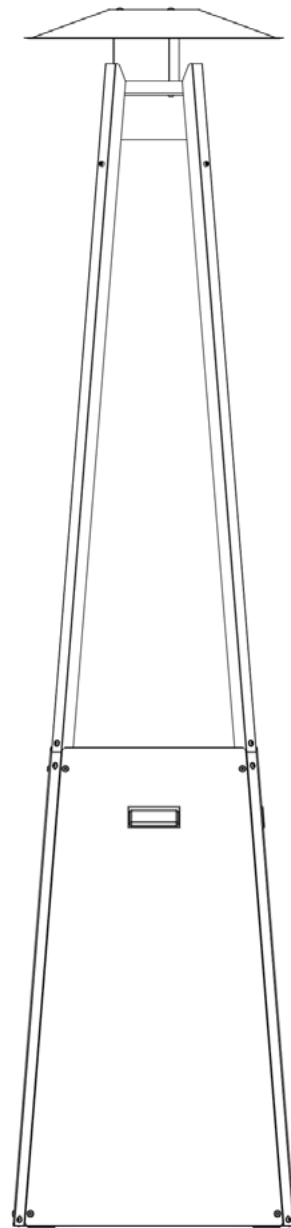
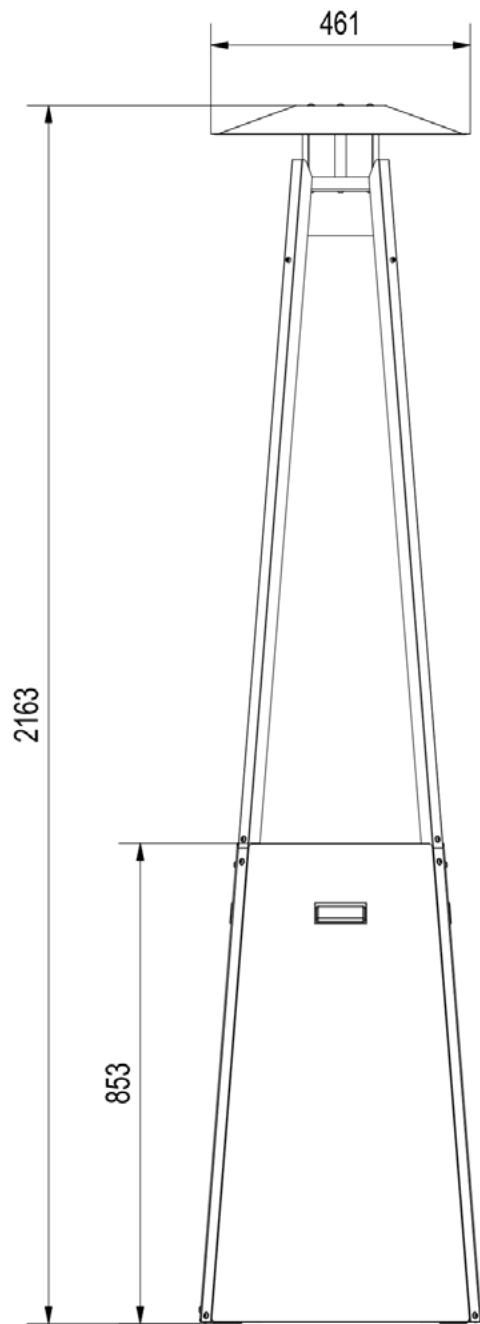
The heater is equipped with a completely safe, manual gas control system which protects against uncontrolled fuel leakage. Additionally, the appliances is equipped with a thermocouple sensor which, if the control burner flame is blown off, shuts off the gas supply to the burner.

Attention! The gas regulator and gas cylinder connection hose are not part of the presented heater and have to be purchased separately.



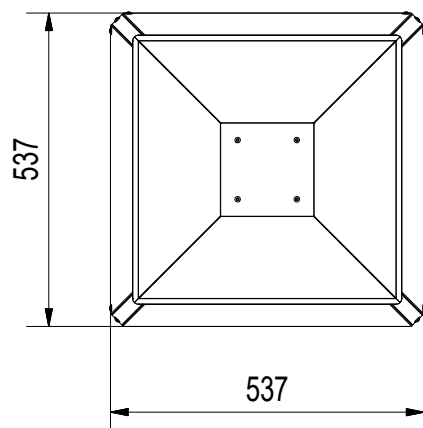
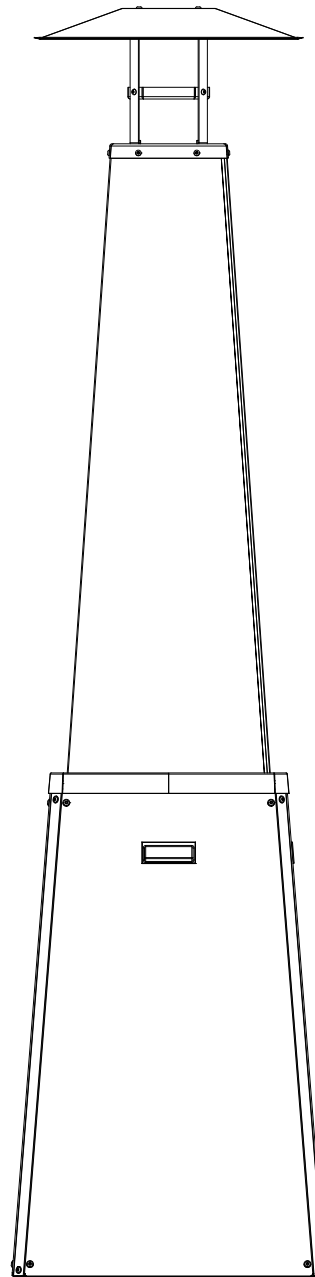
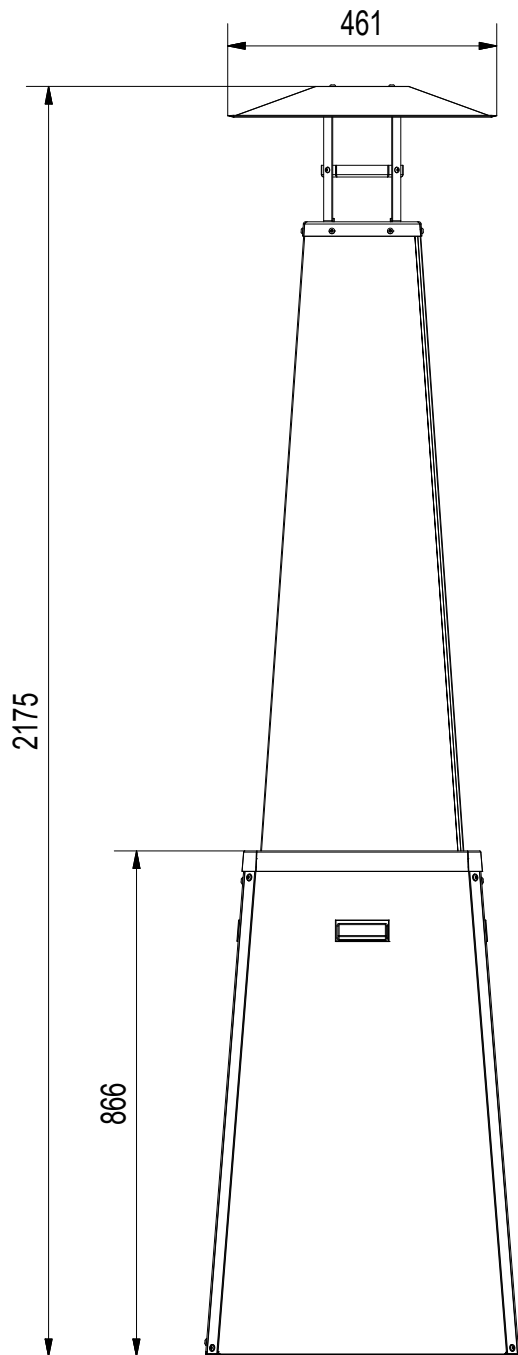
UMBRELLA/BS

# TECHNICAL DRAWING UMBRELLA



kW	12,0
<kW<	3,9 - 12,0
 kg	48,0
	steel, glass
	propan butan

# TECHNICAL DRAWING UMBRELLA BS



kW	12,0
<kW<	3.9 - 12.0
kg	48,0
	steel, glass
	propan butan



# UMBRELLA



# UMBRELLA

